

Clanube®



UNDERBONNET RECHARGEABLE WORKLIGHT

MODEL NO: UBL5000R

PART NO: 4003547

USER INSTRUCTIONS

UK
CA | CE



ORIGINAL INSTRUCTIONS

GC01/25

INTRODUCTION

Thank you for purchasing this CLARKE worklight. Before attempting to use this product, please read this manual thoroughly and follow the instructions carefully.

SPECIFICATIONS

Model	UBL5000R	
Operating voltages	5v (input) 7V (light), 230V (charger)	
LED Wattage consumption	33W	
LED replaceable	No	
Rechargeable Lithium battery	7.4V / 5000mAh	
Lighting source	LED rechargeable SMD	
Light output (luminous flux)	5000 Lumens max	
Colour temperature (rendering)	6000-7000K	
Ingress Protection (IP rating)	IP20	
Insulation Class	III on light / II on charger	
Battery charging time	approx 5 hours	
Approximate Run Time	Power 1 Lamp	15 Hours (1000 lumen)
	Power 2 Lamps	6 hours (2500 lumen)
	Power 3 Lamps	3 hours (5000 lumen)
Rated lamp lifetime	50,000 hours	
Efficiency	151.5 Lm/W	
Operating temperatures	-10 to + 50°C	
Dimensions (D x L x H)	50 x 1160 x 98mm	
Expandable length	1160-1720mm (46.5 - 67.7 in)	
Weight	1.45 Kg	

GUARANTEE

This product is guaranteed against faulty manufacture for a period of 12 months from the date of purchase. Please keep your receipt which will be required as proof of purchase. This guarantee is invalid if the product is found to have been abused or tampered with in any way, or not used for its intended purpose. Faulty goods should be returned to their place of purchase, no product can be returned to us without prior permission. This guarantee does not effect your statutory rights.

SAFETY INSTRUCTIONS

1. **ALWAYS** check for damage before using the worklight. Inspect the charging cable and plug for damage. Any damage should be properly repaired or the part replaced. Consult your local CLARKE dealer.
2. **ALWAYS** ensure that the voltage marked on the charger matches the power supply to be used.
3. **NEVER** pull the cable to remove the charger plug from the power supply.
4. **NEVER** use this light in a bathroom or in the vicinity of a swimming pool.
5. **NEVER** cover the lamp.
6. **DO NOT** look directly into the worklight when it is switched on.
7. Keep the worklight out of the reach of children.
8. Charge the worklight in a dry location. **DO NOT** immerse in water.
9. **ALWAYS** fully charge before first use. **DO NOT** turn on the light when charging.
10. **DO NOT** leave the worklight on charge for more than 24 hours.
11. **DO NOT** disassemble the worklight as there are no user changeable parts.
12. This worklight utilities a rechargeable Lithium-ion battery that can rupture, ignite and cause serious injury if being used improperly. **DO NOT** puncture or damage the batteries or dispose of them in a fire.

ENVIRONMENTAL RECYCLING POLICY



Through purchase of this worklight, the customer is taking on the obligation to deal with the WEEE in accordance with the WEEE regulations in relation to the treatment, recycling & recovery and environmentally sound disposal of the WEEE.

In effect, this means that this worklight must not be disposed of with general household waste. It must be disposed of according to the laws governing Waste Electrical and Electronic Equipment (WEEE) at a recognised disposal facility.

The light source contained in this worklight has a life expectancy of approximately 50000 hours after which the worklight should be disposed of in an environmentally responsible way.

The Lithium Ion battery falls under the Waste Batteries and Accumulators Regulations 2009 and should be disposed of in a controlled manner.

PREPARATION AND USE

CHARGING

The lamp is supplied with a charging lead and mains adapter. Connect the micro USB end of the charging cable to the micro USB port.

Insert the USB end of the cable into the USB port on the wall charger

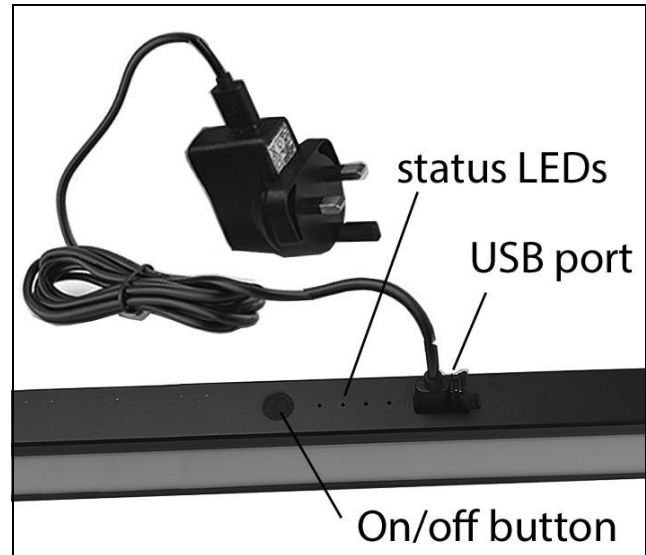
Plug the AC charger into a live AC outlet. The blue LEDs will light to indicate battery status.

Charging will take 5-6 hours. When the battery is fully charged all four LEDs will be lit.

The worklight is now ready for use.

Fully charge the battery before the first use.

- Charge the battery every 3 months if the work-light is not in regular use to ensure the longevity of the battery.



OPERATION

SWITCHING ON AND OFF

To switch the light on press the button at the side of the unit.

- Press the button once to switch on high light state.
- Press the button twice to switch on medium light state.
- Press the button three times to switch on low light state.
- Press the button four times to switch off the light.

MOUNTING TO A CAR BONNET

To mount to an open car bonnet, extend the telescopic section until the brackets can be used to clamp the work-lamp across the bonnet.

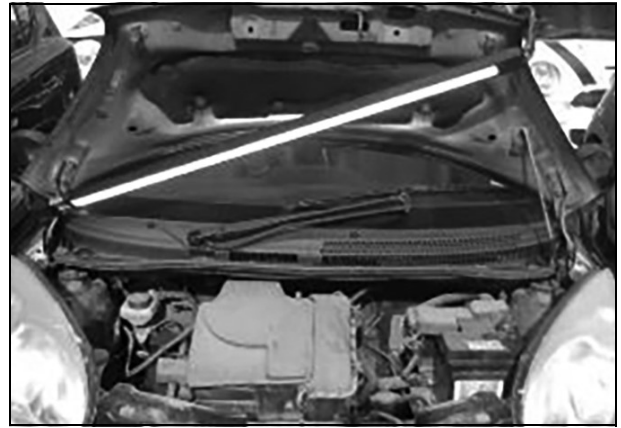
With the unit in position the lamp section can be rotated between the brackets to be aimed where the light beam is required.

Take extra care that the brackets do not slide down if the bonnet is wet.

Note that the mounting hooks will not grip if the bonnet is raised over 45 degrees.

Extend the lamp against the tension of the internal spring to suit the location.

The minimum size bonnet width is 1.16m meaning that the worklamp will not fit across small cars such as the Citroen C1, Toyota Yaris etc but can be used if fitted diagonally.



MAINTENANCE

1. Before cleaning the LED work light, disconnect the USB cable (if being charged) and allow the work light to cool down if hot.
2. Clean with a dry or slightly moist, clean, lint free cloth and a mild detergent if required.
3. **DO NOT** use cleaners that contain abrasives or solvents.
4. Check the LED work light for damage before each use. If the lens is damaged the worklamp must be replaced.
5. Clean any dirt from the housing or lens in case it could cause overheating.

THE FOLLOWING SYMBOLS ARE FOUND ON THE PRODUCT



Indoor use



Harmful to aquatic life

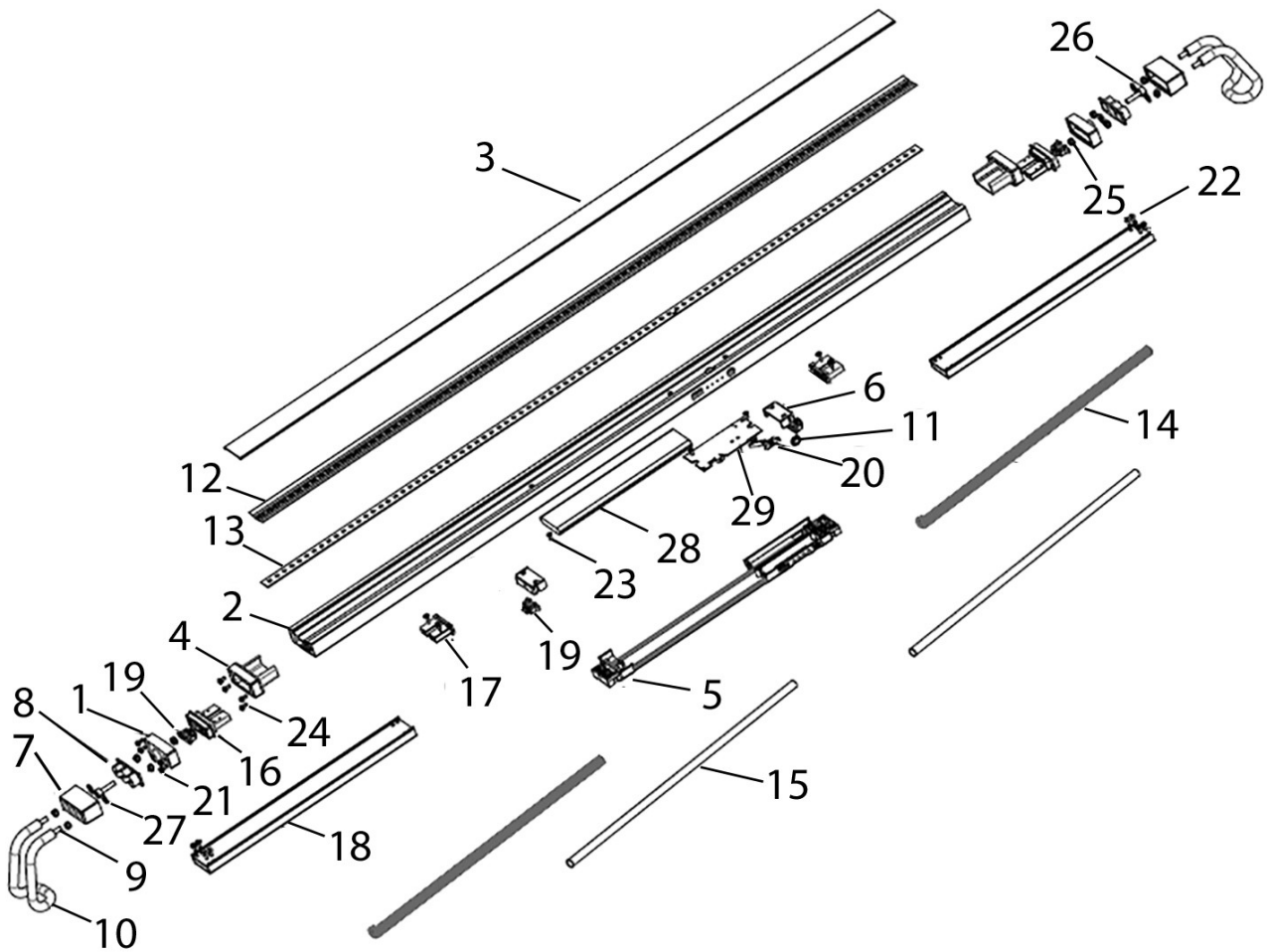


Not suitable for use by children



Read the instructions

COMPONENT PARTS



1	Shaft end cover
2	Aluminium lamp base
3	PC lens
4	Base end cover
5	PCBA holder
6	Spring clamp
7	Hook holder
8	Hook end cover
9	Metal bracket
10	Rubber hook cover

11	Silicone button cap
12	Reflective film
13	LED plate
14	Spring
15	Spring sleeve
16	Insert end cover 1
17	Insert end cover 2
18	Aluminium part
19	Spring fixing plate
20	USB cover

21	Self tapping screw
22	Self tapping screw
23	Self tapping screw
24	Self tapping screw
25	M5 locknut
26	M5 screw
27	Nylon gasket
28	Battery
29	PCBA

DECLARATIONS OF CONFORMITY



Fitzwilliam Hall, Fitzwilliam Place, Dublin 2

DECLARATION OF CONFORMITY

This is an important document and should be retained.

We hereby declare that this product(s) complies with the following legislation:

- 2023/1542 *Battery Regulation*
- 2014/30/EU *Electromagnetic Compatibility Directive*
- 2014/35/EU *Low Voltage Directive*
- 2011/65/EU *Restriction of Hazardous Substances (RoHS) Directive*

The following standards have been applied to the product(s):

- EN 61000-3-3:2013+A1:2019, EN 61000-3-3:2013+A1:2019+A2:2021, EN 55014-1:2017+A11:2020,
- EN IEC 61000-3-2:2019, EN IEC 61000-3-2:2019+A1:2021, IEC 62321-7-1:2015, IEC 62321-8:2017,
- EN IEC 55015:2019+A11:2020, EN 61558-2-16:2009+A1:2013, IEC 62321-1:2013, ISO 17075:2017,
- IEC 62321-7-2:2017, IEC 62321-2:2013, IEC 62321-6:2015, IEC 62321-5:2013, IEC 62321-3-1:2013,
- IEC 62321-4:2013+A1:2017, EN 55014-2:2015, EN 61547:2009, EN 61558-1:2019

The technical documentation required to demonstrate that the product(s) meet(s) the requirement(s) of the aforementioned legislation has been compiled and is available for inspection by the relevant enforcement authorities.

The CE mark was first applied in: 2024

- Product Description: LED Light
- Model Number(s): UBL5000R
- Serial/Batch Number: Refer to product/packaging label
- Date of Issue: 28/10/2024

Signed:

J.A. Clarke
Director

UBL5000R CE Clarke DOC 102824

Page 1 of 1



Hemncall Street, Epping, Essex, CM16 4LG

DECLARATION OF CONFORMITY

This is an important document and should be retained.

We hereby declare that this product(s) complies with the following legislation:

- The Batteries and Accumulators (Placing on the Market) Regulations 2008
- The Electromagnetic Compatibility Regulations 2016
- The Electrical Equipment (Safety) Regulations 2016
- The Restriction of the Use of Certain Hazardous Substances in Electrical and Electronic Equipment Regulations 2012

The following standards have been applied to the product(s):

- EN 61000-3-3:2013+A1:2019, EN 61000-3-3:2013+A1:2019+A2:2021, EN 55014-1:2017+A11:2020,
- EN IEC 61000-3-2:2019, EN IEC 61000-3-2:2019+A1:2021, IEC 62321-7-1:2015, IEC 62321-8:2017,
- EN IEC 55015:2019+A11:2020, EN 61558-2-16:2009+A1:2013, IEC 62321-1:2013, ISO 17075:2017,
- IEC 62321-7-2:2017, IEC 62321-2:2013, IEC 62321-6:2015, IEC 62321-5:2013, IEC 62321-3-1:2013,
- IEC 62321-4:2013+A1:2017, EN 55014-2:2015, EN 61547:2009, EN 61558-1:2019

The technical documentation required to demonstrate that the product(s) meet(s) the requirement(s) of the aforementioned legislation has been compiled and is available for inspection by the relevant enforcement authorities.

The UKCA mark was first applied in: 2024

- Product Description: LED Light
- Model Number(s): UBL5000R
- Serial/Batch Number: Refer to product/packaging label
- Date of Issue: 28/10/2024

Signed:

J.A. Clarke
Director

UBL5000R UKCA Clarke DOC 102824

Page 1 of 1

A SELECTION FROM THE VAST RANGE OF

Clarke®

QUALITY PRODUCTS



AIR COMPRESSORS
From DIY to industrial, Plus air tools, spray guns and accessories.

GENERATORS
Prime duty or emergency standby for business, home and leisure.

POWER WASHERS
Hot and cold, electric and engine driven - we have what you need

WELDERS
Mig, Arc, Tig and Spot. From DIY to auto/industrial.

METALWORKING
Drills, grinders and saws for DIY and professional use.

WOODWORKING
Saws, sanders, lathes, mortisers and dust extraction.

HYDRAULICS
Cranes, body repair kits, transmission jacks for all types of workshop use.

WATER PUMPS
Submersible, electric and engine driven for DIY, agriculture and industry.

POWERTOOLS
Angle grinders, cordless drill sets, saws and sanders.

STARTERS/CHARGERS
All sizes for car and commercial use.



PARTS & SERVICE: 0208 988 7400

Parts Enquiries
Parts@clarkeinternational.com

Servicing & Technical Enquiries
Service@clarkeinternational.com

SALES: UK 01992 565333 or Export 00 44 (0)1992 565335

Clarke® INTERNATIONAL Hemnall Street, Epping, Essex CM16 4LG
www.clarkeinternational.com